

Mounting Description

Netti III 刹车毂安装说明 Drum brake Netti III

Positioning the drum brake in the main wheel bracket.

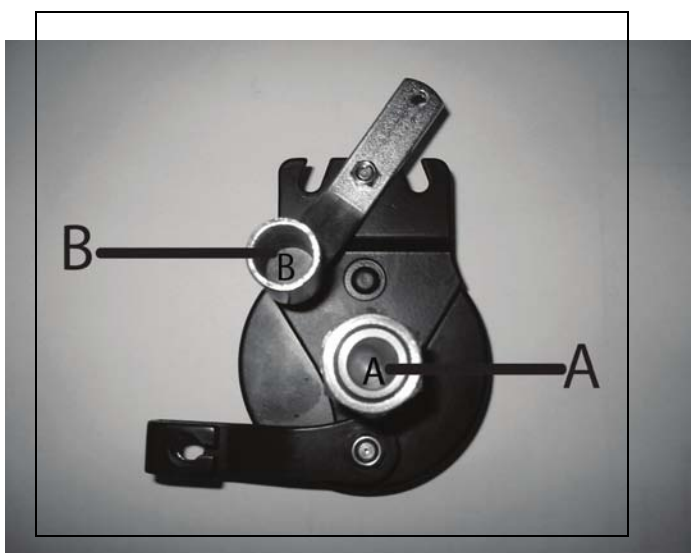
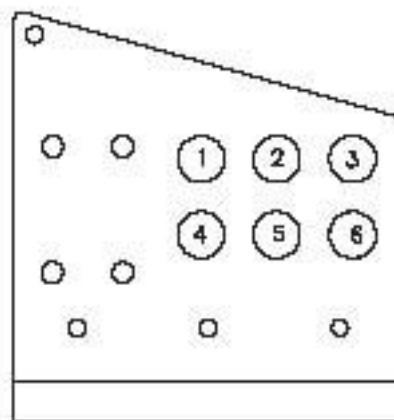
安装刹车毂

Tools: 2 pcs 24" open end spanner.

工具: 2 把 24" 开口扳手

Depending on size of main wheel and required height of wheelchair, mount the brake anchor-plate with the main wheel bushing and position lock in the correct positions of the main wheel adapter. To get correct pull of the brake mount the brake anchor-plate as described in the setup bottom right.

根据大轮尺寸以及轮椅高度要求, 将带有轴套的刹车盘安装在正确的孔位上. 注意, 安装刹车盘定位杆的位置, 请详见右下方图示安装步骤!



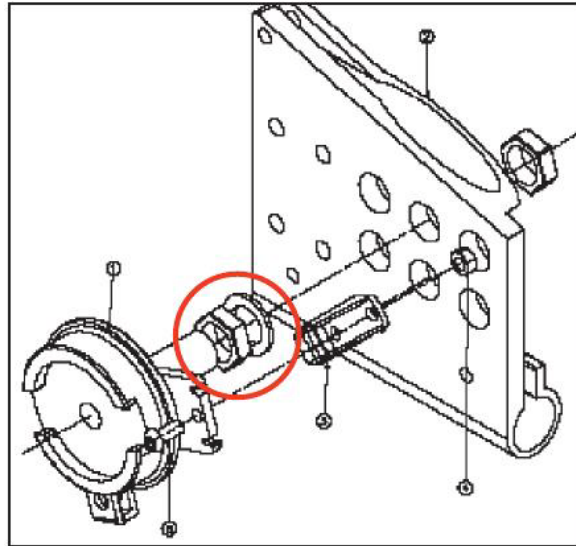
Main wheel adaptor Netti III

刹车毂安装	
A 位于 1 = B 位于 4	
A 位于 2 = B 位于 5	
A 位于 3 = B 位于 6	
A 位于 4 = B 位于 1	
A 位于 5 = B 位于 2	
A 位于 6 = B 位于 3	

刹车盘 A = 大轮轴套 B = 定位杆

When attaching the brake anchor-plate to the main wheel bracket, make sure that the enclosed steel disk is placed between the nut and the outside of the frame, as shown below.

在将刹车盘安装到轮框座孔时，请确保弹簧垫圈置于螺母与轮框座外边之间，请见下图



Mounting of push handles and placing of the wire:

安装手推柄及刹车线

The push handles are placed in the holes in each end of the push bar adapter.

NB! Remember to replace the safety screw and nut at the end of the push handle.

将手推把装入靠背支架连接块孔中

备注：请务必将安全螺丝和螺母安装在手推柄下端

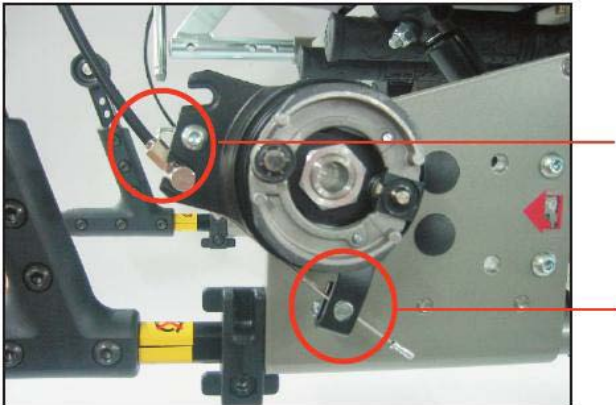
Open the zippers along the backrest tubes and lead the wire on the inside of the backrest velcro.

松开靠背支架管上的拉链,将刹车线放入靠背绷布里。.



To fine-tune the brake use an 8 mm open-end spanner on the foot screw on the brake anchor-plate. See next page.

用 8MM 开口扳手来微调刹车盘上的松紧螺丝 (见下一页)

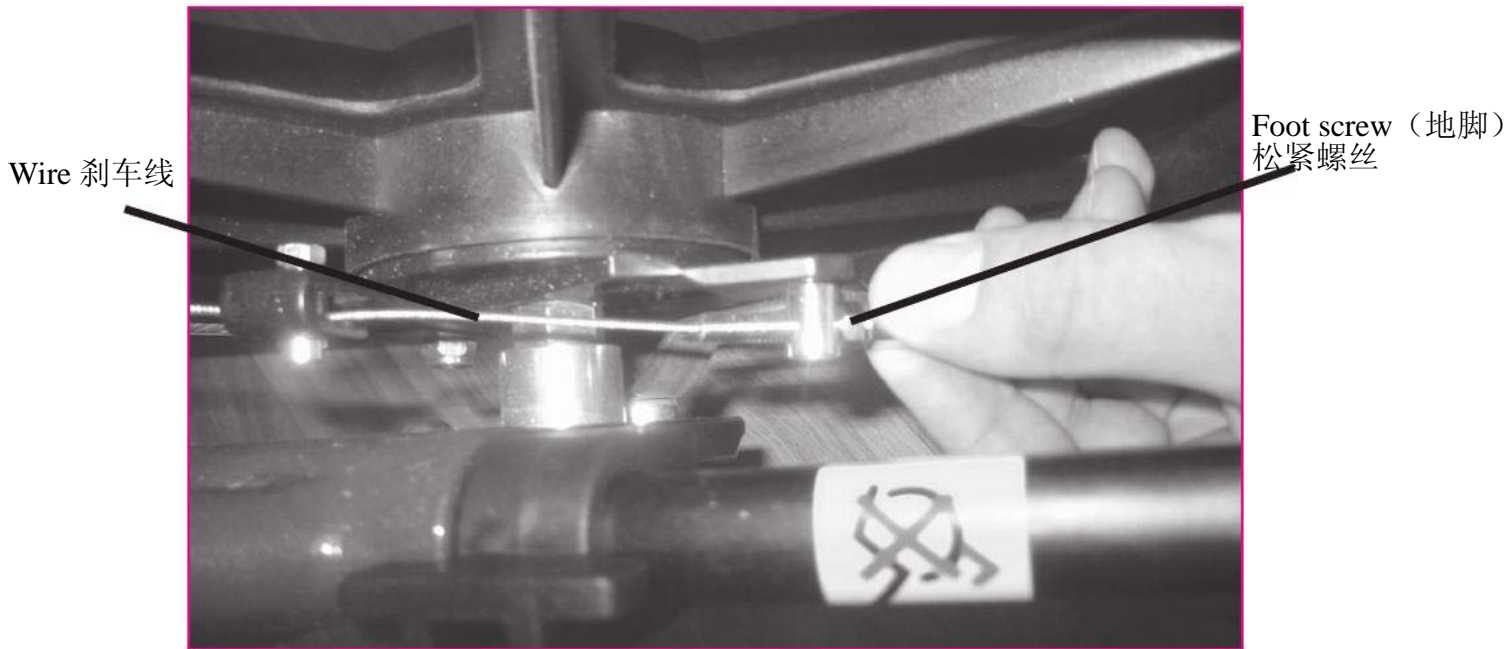


To adjust the wire use a 7 mm open-end spanner on the set screw. See next page.

用 7MM 开口扳手，调节定位螺丝。来调节刹车线，见下一页

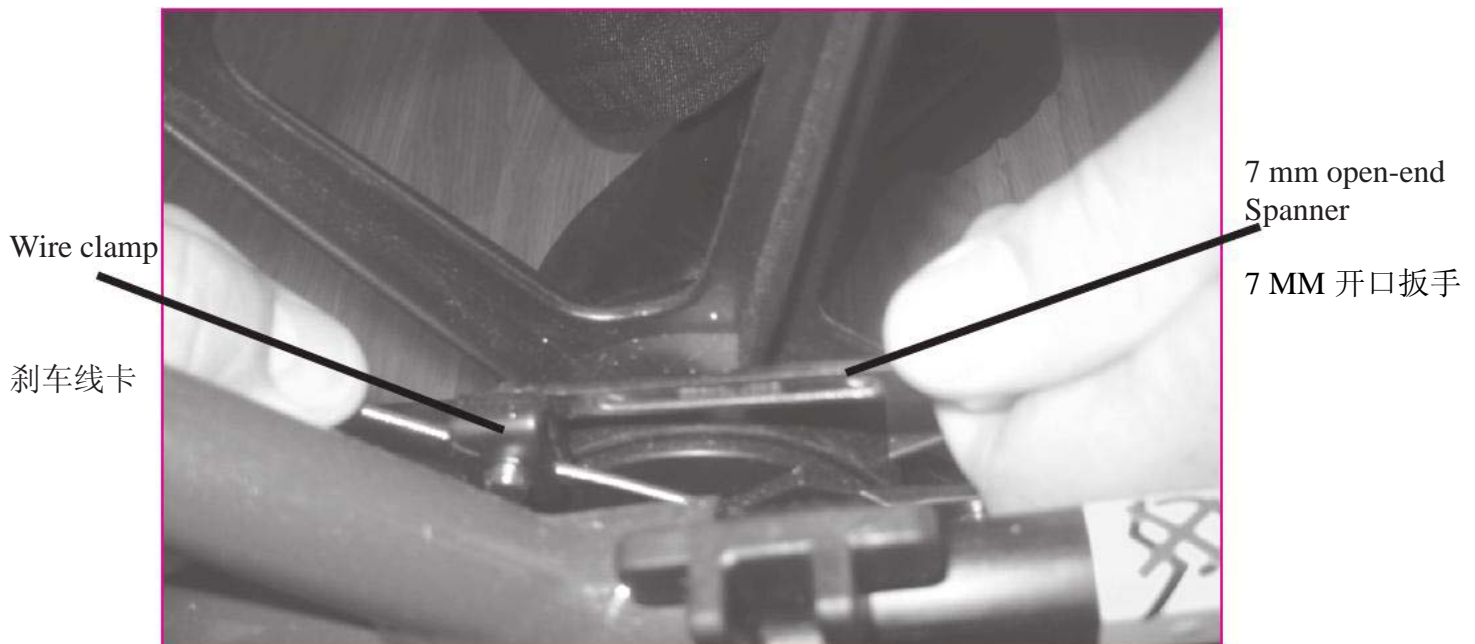
Adjusting the Drum Brakes 调节刹车毂

If the brakes do not brake properly:若刹车不能正常使用



Picture 1

Picture 1: To adjust the wire on one or both sides, turn the foot screw with a 8 mm open-end spanner against the clock 2-4 times. Then check if the brakes are functioning adequately.
 调节一边或两边刹车线，用 8MM 开口扳手将松紧螺丝反时针方向转 2-4 圈。检查刹车功能是否正常



Picture 2:

If the wire is too loose turn the foot screw clockwise all the way in. To tighten the wire loosen the wire clamp, pull the wire through the clamp and then tighten the wire clamp.

Then adjust the wire with the foot screw as described to picture 1

若要调松刹车) ,将松紧螺丝向顺时间方向旋转.要拧紧刹车线: 可松开刹车线后,再拧紧刹车线夹. 最后如图 1 所示,通过调节松紧螺丝调好刹车线.