

Mounting description and spare part list for armrest lock Svipp II

Svipp II 扶手锁安装说明及配件列表

Remove the existing screw (Pos.2) and nut (Pos.4).

拆去螺丝 (件 2) 和螺母 (件 4)

Put the Locking handle (Pos.3) onto the backrest bracket and put the M6x35 (Pos.2) screw through the hole on the Locking handle and through the backrest bracket from the outside.

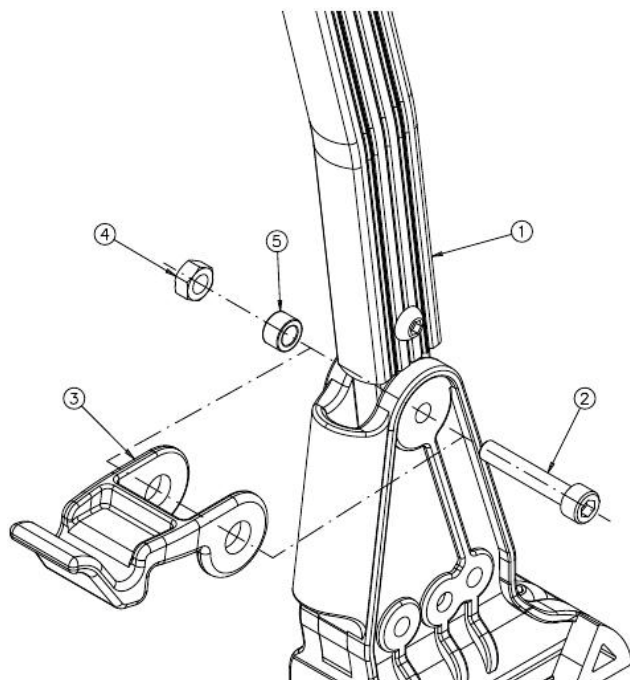
将锁扣 (件 3) 卡入靠背杆支座,把螺丝 (件 2) M6x35 从外插入锁扣和支座孔中

Put the Sleeve (Pos.5) on the screw and place the Sleeve into the backrest stem, and fasten with the M6 lock nut (Pos.4)

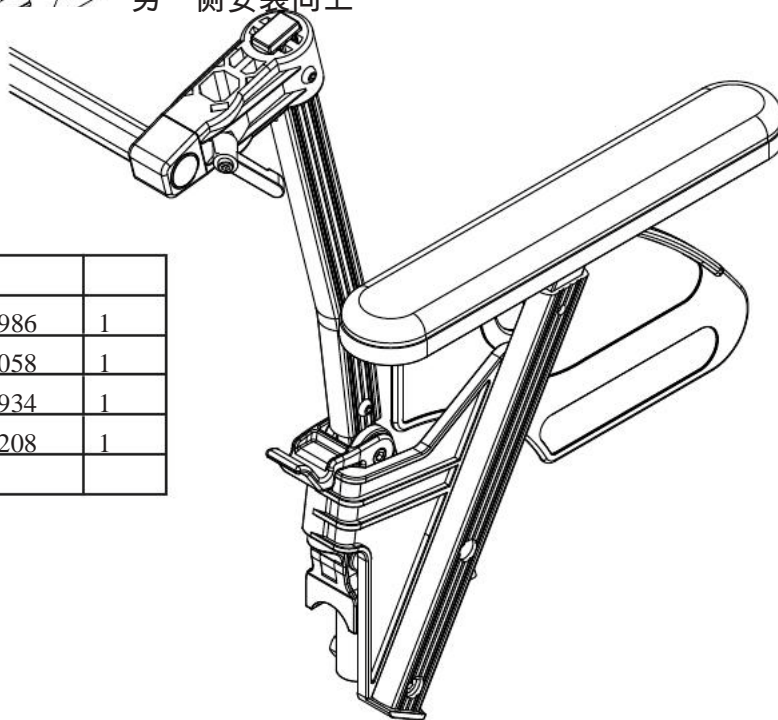
将铜套 (件 5) 穿过螺丝进入支座孔中,然后用螺帽 (件 4) 固定.

Repeat the same on the other side.

另一侧安装同上



5



4	Sleeve D10x6	25986	1
3	M6 lock nut	20058	1
2	Locking handle	25934	1
1	M6x35 Hex socket head	23208	1
Pos	Chairback assy compl.		

I